

VDO

VDO

user manual



enjoy your music

RC638

收音/CD播放组合
tuner / CD player combination

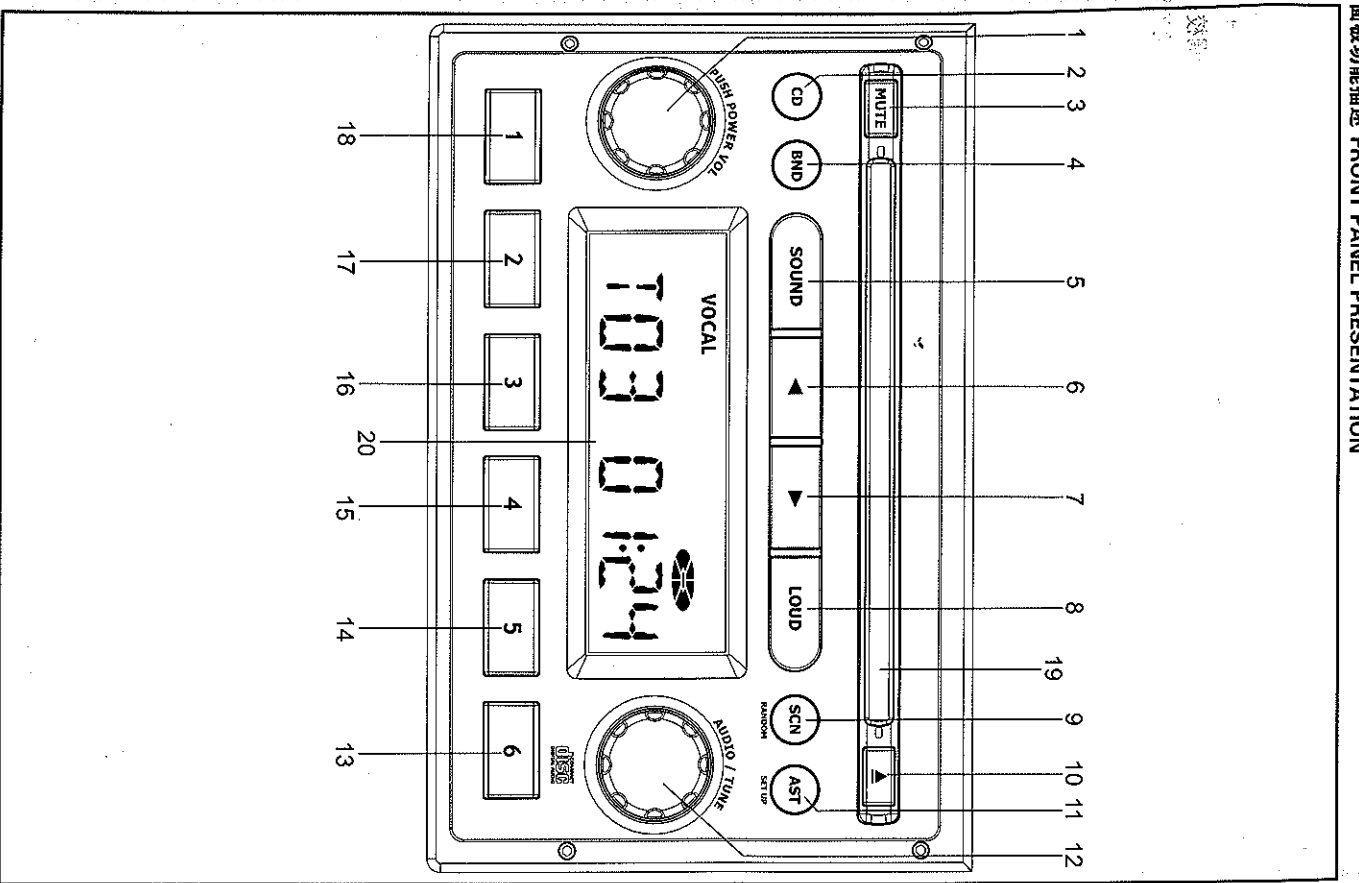
使用说明书
user manual



3140 165 22101.2

www.vdo.com

handling a complex world



CONTENTS

FRONT PANEL PRESENTATION.....	9
CLOCK SETTING.....	9
AUDIO.....	10
RADIO.....	10
CD PLAYER.....	11
SET UP.....	12
TROUBLE SHOOTING.....	13

FRONT PANEL PRESENTATION

For illustration, see page 3.

- 1 **POWER VOL.** Push to switch On/Off set
Turn to adjust the volume
- 2 **CD** CD player mode
- 3 **MUTE** Set
- 4 **BND** Band
- 5 **SOUND** Sound mode
- 6 **▶** To lower frequency tuning
(tuner)
Fast rewind(CD player)
- 7 **◀** To higher frequency tuning
(tuner)
Fast forward(CD player)
- 8 **LOUD** Loudness mode
Fast forward(tuner)
- 9 **SCN** Tuner's frequency scan(tuner)/
CD's track scan(CD player)
- 10 **RANDOM** CD random track on/off
Eject CD
- 11 **▲** Autostore
- 12 **▲** Long press(more than 2 sec.);
SET UP enter set up mode.
- 13 **AUDIO/TUNE** Audio setting /
Manual tuning(tuner)
Previous/next track(CD player)
- 14 **1** Preset button 1
- 15 **2** Preset button 2
- 16 **3** Preset button 3
- 17 **4** Preset button 4
- 18 **5** Preset button 5
- 19 **6** Preset button 6
- 20 CD opener
..... Display

CLOCK SETTING

- Press **SET UP** key for more than 2 seconds to enter the SETUP menu.
- Press **▶** until you reach the option 'TIME'.
- Press **SET** to alter the Choice to '12H' or '24H'.
- Press **◀** or **▶** to select Hour or Minute digit for adjusting.
- Selected digit start flashing.
- Press **SET UP** key to adjust the Hour or Minute digit.
- -The clock starts operating from the selected time.
- Press **SET UP** key for more than 2 seconds to leave the SETUP menu.
- -10 seconds after any key operation, the display will always show the time when clock mode is activated.

English

SETUP

It is possible to modify many of the set's initial settings according to your preferences.

- Press **SET UP** key for more than 2 seconds to enter the SETUP menu.
 - Press **◀** or **▶** key to select one of the option you want to modify.
 - Press **SET UP** key to alter the choice.
 - Press **SET UP** key for more than 2 seconds to leave the SETUP menu.
- The set automatically leaves the SETUP mode about 1 minute after your last operation.

Option	Choice	Usage
(◀ or ▶)	(SETUP)	
TIME	[OFF, 12H, 24H]	Select the desired clock format. (See 'SETTING THE CLOCK').
SRCH	[LO, DX]	Select 'LO' if you wish to search only for strong stations during automatic tuning to a frequency.
PHONE	[LO, NO]	- Select 'TEL NO' if no car phone is connected to the set. - Select 'PHONE LO/TELIN LO' according to car phone.
LOGI	[OFF, ON]	Select 'ON' to limit the use of the set to one hour when the car ignition is switched off. Select 'OFF' to prevent the set from turning on when the car ignition is switched off.

Note : Reference volume can be adjusted by the volume knob during the SETUP mode. e.g.: the volume when you turn the set on will always be the reference volume no matter the volume is higher or lower than the reference volume while you turn off the set.

CHECK BEFORE REQUESTING SERVICE

There may be times when you suspect that your car radio is not functioning as you expect it to. Before calling for service please read the operating/installing instruction and check the following list, you may find that an apparent malfunction can easily be rectified.

SYMPTOMS

POSSIBLE CAUSE / REMEDY

GENERAL

- Set does not function, no display
 - Check fuse and connections
- Set functions but with no or poor sound
 - Adjust volume of set to demute set
 - Check fader and balance settings
 - Check the aerial and its connection
- Set front feels warm
 - Some heat is always generated by the set
- Display shows "TOO HOT", Volume is no function,
The sound from the speaker is reduced
 - A built-in safety circuit prevents the temperature in the set from exceeding a certain level
 - Wait until "TOO HOT" disappear from the display to increase the volume.

RADIO

- Poor radio reception
 - Check that the aerial is fully extended and properly connected
 - Check that the negative terminal is connected to earth(car-chassis)

CD player

- Display shows 'NO CD' or 'CD ERROR' and hearing a "beep"
 - No CD inserted, CD inserted upside-down, damaged, dirty, wrong disc type
- Distorted sound during playback
 - CD damaged or dirty

If you still have to send your set for service, always send the complete set.
Do not try to open the set to service it yourself